



Bora single hole prep sink faucet
BO601XX



Specifications

Descriptions

- 3/8" speedway compression
- Ceramic cartridge
- Swivel spout

Available colors

- C : Chrome
- SS : Stainless steel (PVD)

Available flows

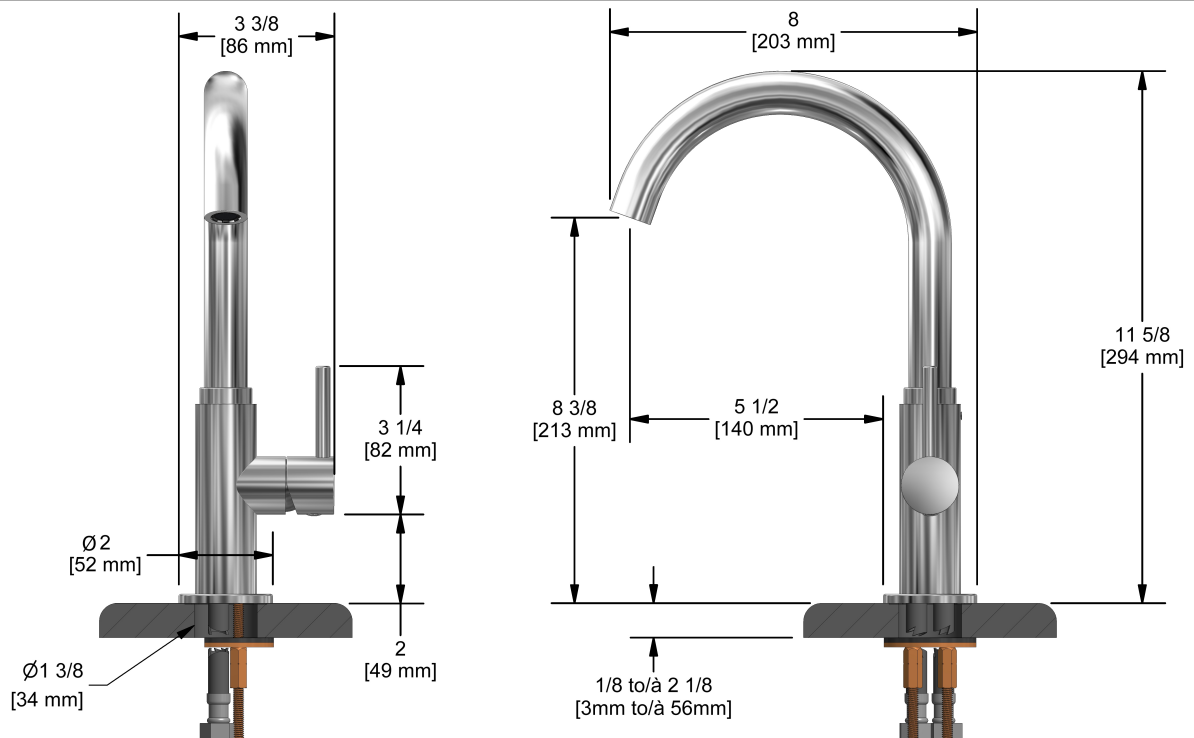
- 8.3 L/min, 2.2 gpm (US) 60psi
- 3.7 L/min, 1 gpm (US) 60psi (**BO601XX-10**)
- 5.69 L/min, 1.5 gpm (US) 60psi (**BO601XX-15**)

Cartridge

- 401-039

Certifications

- CSA B125.1
- NSF/ANSI standard 61 and 372
- ASME A112.18.1
- CMR248 Approval



Sizes, models and finishes may differ from thoses presented.

Warranty

This Riobel Inc. product you have purchased carries a **Limited lifetime warranty on the chrome, PVD finished and all working parts** and is guaranteed from the initial purchase date against all **manufacturing defects**. All other finishes including plastic component are guaranteed for one year. All electric and/or electronic parts are covered by a 1-year limited warranty.

Customer Service

Ontario, West Canada : 888-287-5354 Quebec, Maritimes, United States : 866-473-8442